



Electric Side-Seated Reach Truck

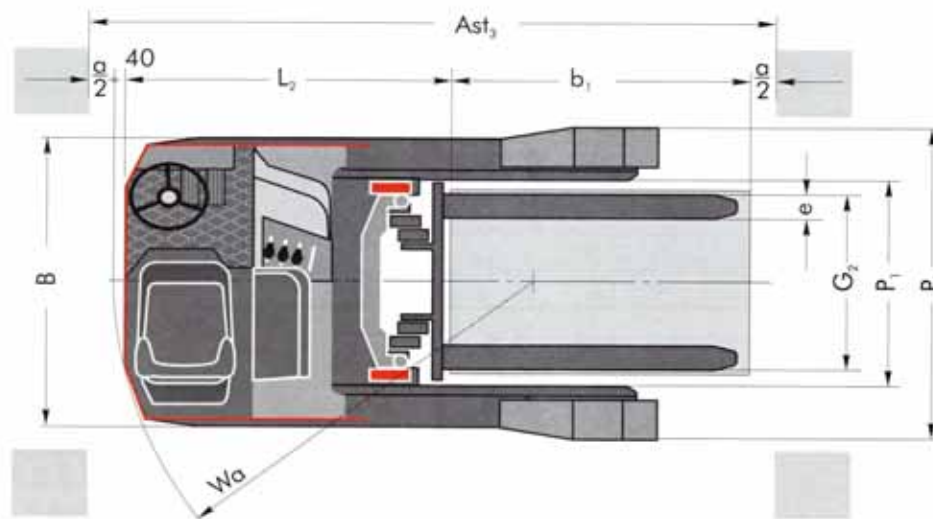
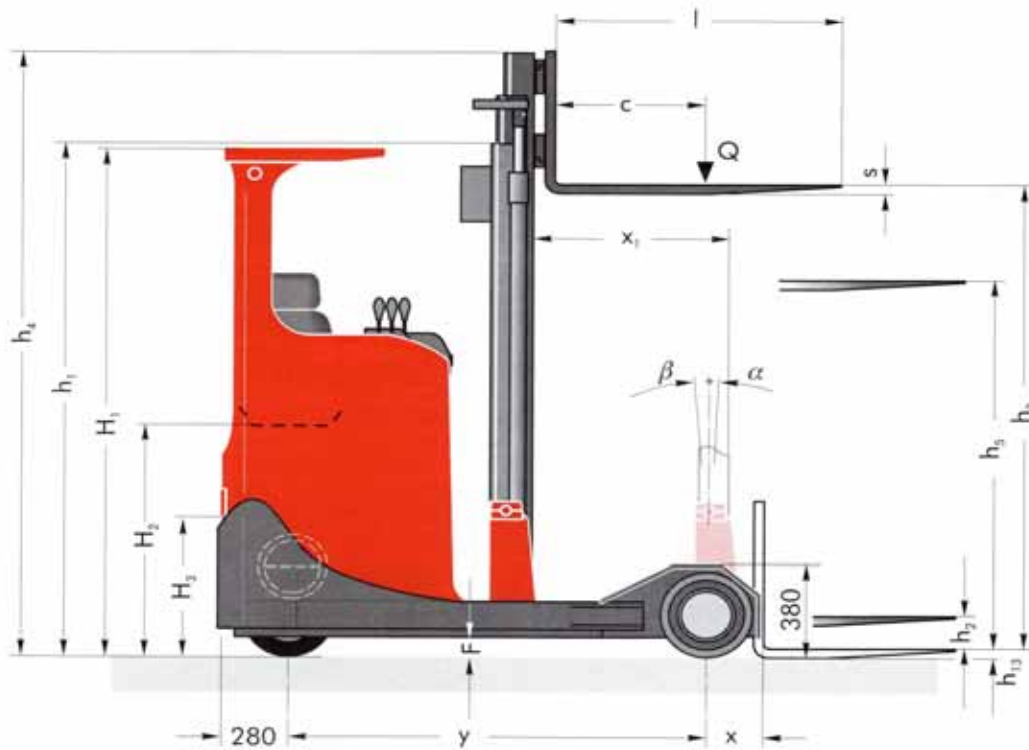
M 1212 EEx/ASM

M 1216 EEx/ASM

M 1220 EEx/ASM



explosion proof,
Type of protection:
EEx d IIB 120 °C,
PTB-no.: Ex-92.Y.1702





Electric Side-Seated Reach Truck M 1212/16/20 EEx/ASM

			M 1212 EEx/ASM		M 1216 EEx/ASM		M 1220 EEx/ASM	
			Battery 80V 2 PzS 280 Ah Container 32		Battery 80V 2 PzS 280 Ah Container 32		Battery 80V 3 PzS 420 Ah Container 34	
L ₂ incl. fork heel	DFSM / DFFM	mm/inch	1230 / 48,42	1258 / 49,53	1383 / 54,45	1288 / 50,71	1383 / 54,45	
	TFFM	mm/inch	1253 / 49,33	1278 / 50,31	1418 / 55,83	1313 / 51,69	1423 / 56,02	
y Wheelbase		mm/inch	1437 / 56,57	1437 / 56,57	1437 / 56,57	1530 / 60,24	1530 / 60,24	
x ₁ Mast reach	DFSM / DFFM	mm/inch	755 / 29,72	690 / 27,16	575 / 22,64	765 / 30,12	665 / 26,18	
Drive wheel Ø 345 mm	TFFM	mm/inch	735 / 28,94	680 / 26,77	540 / 21,26	735 / 28,94	625 / 24,61	
x Load distance from centre of front axle	DFSM / DFFM	mm/inch	270 / 10,63	266 / 10,47	276 / 10,87	278 / 10,94	273 / 10,75	
	TFFM	mm/inch	268 / 10,55	276 / 10,87	276 / 10,87	273 / 10,74	273 / 10,75	
Wa Turning circle radius		mm/inch	1770 / 69,68	1770 / 69,68	1770 / 69,68	1855 / 73,03	1855 / 73,03	
Ast ₁ Aisle width	DFSM / DFFM	mm/inch	2630 / 103,54	2660 / 104,72	2785 / 109,64	2690 / 105,90	2785 / 109,64	
Pallet load length 1200 mm	TFFM	mm/inch	2655 / 104,53	2680 / 105,51	2820 / 111,02	2715 / 106,89	2825 / 111,22	
Tare weight inc. side shift, make	DFSM / DFFM	kg / lb	3350 / 7385	3415 / 7528	3655 / 8057	3560 / 7848	3810 / 8399	
Axle load with load	Running wheel axle	kg / lb	3750 / 8267	4121 / 9085	4175 / 9204	4650 / 10251	4700 / 10361	
reached	Drive	kg / lb	850 / 1874	894 / 1971	1080 / 2381	910 / 2006	1110 / 2447	
Axle load without load	Running wheel axle	kg / lb	1205 / 2656	1115 / 2458	1165 / 2568	1045 / 2304	1155 / 2546	
retracted	Drive	kg / lb	2145 / 4728	2300 / 5070	2490 / 5489	2515 / 5544	2655 / 5853	

Table of Closed Heights and Lifting Heights / Hand operated forks

Type of Mast	Closed height	Q=1250kg/2756 lb				Q=1600 kg/3527 lb			Q=2000 kg/4409 lb		
		h ₁	h ₂	h ₃	h ₂ / h ₃	h ₂	h ₃	h ₂ / h ₃	h ₂	h ₃	h ₂ / h ₃
DFSM	mm	2100	3250	3890	150	3175	3815	150	3100	3740	150
	inch	82,68	127,95	153,15	5,91	125,00	150,20	5,91	122,05	147,24	5,91
	mm	2225	3500	4140	150	3425	4065	150	3350	3990	150
	inch	87,60	137,80	162,99	5,91	134,84	160,04	5,91	131,89	157,09	5,91
DFFM	mm	2100	3250	3890	1460	3175	3815	1460	3100	3740	1460
	inch	82,68	127,95	153,15	57,48	125,00	150,20	57,48	122,05	147,24	57,48
	mm	2225	3500	4140	1585	3425	4065	1585	3350	3990	1585
	inch	87,60	137,80	162,99	62,40	134,84	160,04	62,40	131,89	157,09	62,40
TFFM	mm	2100	4775	5415	1460	4685	5325	1460	4685	5325	1460
	inch	82,68	187,99	213,19	57,48	184,45	209,65	57,48	184,45	209,65	57,48
	mm	2225	5150	5790	1585	5060	5700	1585	5060	5700	1585
	inch	87,60	202,76	227,95	62,40	199,21	224,41	62,40	199,21	224,41	62,40
	mm	2475	5900	6540	1835	5810	6450	1835	5810	6450	1835
	inch	97,44	232,28	257,48	72,24	228,74	253,94	72,24	228,74	253,94	72,24
	mm	2725	6650	7290	2085	6560	7200	2085	6560	7200	2085
	inch	107,28	261,81	287,01	82,09	258,27	283,46	82,09	258,27	283,46	82,09
	mm	2975	7400	8040	2335	7310	7950	2335	7310	7950	2335
	inch	117,13	291,34	316,54	91,93	287,80	312,99	91,93	287,80	312,99	91,93

Electric Side-Seated Reach Truck

M 1212/16/20 EEx/ASM



Technical Data Sheet for Fork Lift Trucks

EFM

M1200 EEx/ASM

00.06 VDI 2198

Designation according to DIN 15 140

Abbreviation to DIN 15 140

Registration-No.

Date

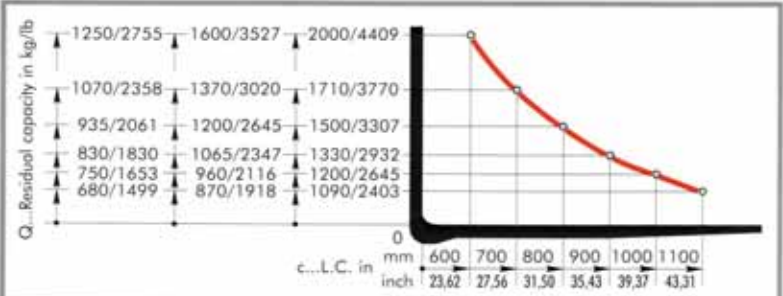
Details of Manufacturer and Design

Specification according to Type

Designations	1 Manufacturer		(abbreviation)		Sichelschmidt		Sichelschmidt		Sichelschmidt		
	2 Type		Type code of manufacturer		M 1212 EEx/ASM		M 1216 EEx/ASM		M 1220 EEx/ASM		
3 Capacity	Q Lifting load		kg-lb		1250 2756		1600 3527		2000 4409		
	4 At load centre		c Distance		600 23,62		600 23,62		600 23,62		
5 Drive	Electric (Battery)				Electric Battery		Electric Battery		Electric Battery		
6 Steering	Hand-Pedestrian-Standing (Driver)-Seated-steering				Seated steering		Seated steering		Seated steering		
7 Tyres	V=Solid rubber, Vulko=Vulkollan, CSE=Super-Elastic				Vulko/Vulko		Vulko/Vulko		Vulko/Vulko		
8 Wheels (x=driven)	Front / rear		No. off		1(x) / 2		1(x) / 2		1(x) / 2		
9 Platform height lowered	H wheel arm height=running wheel Ømax.		mm-inch		380 14,96		380 14,96		380 14,96		
10 with single	h ₁ lift		mm-inch		see table		see table		see table		
	11 with double/ triple lifting frame	h ₂ lift		mm-inch		see table		see table		see table	
		h ₂ normal free lift		mm-inch		see table		see table		see table	
12	h ₁ special free lift		mm-inch		see table		see table		see table		
14 Fork thickness	s fork thickness incl. V2A		mm-inch		36 1,42		41 1,61		46 1,81		
15	e fork width incl. V2A		mm-inch		106 4,17		106 4,17		106 4,17		
16	l fork length		mm-inch		800/1000/1150 31,5/39,4/45,3		800/1000/1150 31,5/39,4/45,3		800/1000/1150 31,5/39,4/45,3		
17 Carriage plate	FEM				2B-3 DIN 15173		2B-3 DIN 15173		2B-3 DIN 15173		
18 Tilt	Lifting frame forwards / backwards				DFS / DFFM - 2°/5°		TFFM - 1°/3°				
19	L ₂ Length incl. fork heel		mm-inch		see table		see table		see table		
20	H ₂ Access height (drivers standing platform)		mm-inch		ca.730 appr.28,7		ca.730 appr.28,7		ca.730 appr.28,7		
21	H ₁ Seat height from floor (seated)		mm-inch		ca.1200 appr.47,2		ca.1200 appr.47,2		ca.1200 appr.47,2		
22	P ₁ Distance between the wheel arms		mm-inch		900 35,43		900 35,43		900 35,43		
23 Overall measurements	P ₂ Measurement over both wheel arms		mm-inch		1380 54,33		1380 54,33		1380 54,33		
24	B Width of appliance		mm-inch		1260 49,61		1260 49,61		1260 49,61		
25	B ₁ Width of special equipment		mm-inch		-		-		-		
26	H ₃ Floor surface to track roof		mm-inch		2265 89,17		2265 89,17		2265 89,17		
27	G ₂ Max. measurement over both fork tines		mm-inch		750 29,53		750 29,53		750 29,53		
28	h ₁ Overall height retracted		mm-inch		see table		see table		see table		
29 Mast	h ₂ Overall height extended		mm-inch		see table		see table		see table		
30	h ₁₃ Lowered height		mm-inch		45 1,77		50 1,97		55 2,17		
31 Turning circle radius	W ₀		mm-inch		see table		see table		see table		
32 Load distance	x from centre of front axle		mm-inch		see table		see table		see table		
33 Mast reach	x ₁		mm-inch		see table		see table		see table		
34 Aisle width			mm-inch		-		-		-		
35	Ast, Pallet load length 1200		mm-inch		see table		see table		see table		
36 Stability	to technical rules		yes / no		to official document EG-L100						
37	Travel with / without load		km/h-miles/h		11,5/13 7,14/8,07		11/12,5 6,83/7,76		10,5/12 6,52/7,45		
38	Travel with overdrive with/without load		km/h-miles/h		-		-		-		
39 Speed	Lifting with / without load		cm/s-inch/s		0,19/0,30 7,75/11,81		0,18/0,29 7,09/11,41		0,17/0,28 6,69/11,02		
40	Fast lift with / without load		cm/s-inch/s		-		-		-		
41	Lowering with / without load		cm/s-inch/s		controlled max. 60 - 23,62						
42 Tractive power	at draw hook with / without load		ca. daN-lbf		-		-		-		
43 Max. tractive power	5 mins tractive power with el. vehicles		daN-lbf		-		-		-		
44 Gradient	with / without load		%		15 / 17		14 / 17		12 / 16		
45 Max. gradient	with / without load (5 min.)		%		-		-		-		
46 Tare weight	incl. battery		kg-lb		see table		see table		see table		
47 Axle load max.	front / rear with lifting load		kg-lb		see table		see table		see table		
48	Front / rear		No. off		1 / 2		1 / 2		1 / 2		
49 Tyres	front		mm-inch		Ø 345 x 140 Ø 13,5 x 5,51		Ø 345 x 140 Ø 13,5 x 5,51		Ø 345 x 140 Ø 13,5 x 5,51		
50	rear		mm-inch		Ø 345 x 115 Ø 13,5 x 4,53		Ø 345 x 115 Ø 13,5 x 4,53		Ø 345 x 115 Ø 13,5 x 4,53		
51	Support wheel front / rear dimensions		mm-inch		-		-		-		
52 Wheelbase	y		mm-inch		see table		see table		see table		
53 Track	S Centre of tyres front / rear		mm-inch		0 / 1260 0 / 49,61		0 / 1260 0 / 49,61		0 / 1260 0 / 49,61		
54 Ground clearance	F with load at lowest point		mm-inch		85 3,35		85 3,35		85 3,35		
55	Wheelbase centre		mm-inch		85 3,35		85 3,35		85 3,35		
56 Brakes	Service (foot)/ Parking (hand) brake				Foot / hand hydr. / mech.		Foot / hand hydr. / mech.		Foot / hand hydr. / mech.		
57	hydraulic / mechanical / electrical				-		-		-		
58	Type / Container no.				see table		see table		see table		
59 Battery	Volt / Ah (Capacity at 5 h discharge)				see table		see table		see table		
60	Weight		appr. kg-lb		see table		see table		see table		
61	Travel motor AC		kW-hp		9 S 2 60min 12,07 S2 60min		9 S 2 60min 12,07 S2 60min		9 S 2 60min 12,07 S2 60min		
62 Electric motors	Lifting motor AC		kW-hp		3 S 2 30min 4,02 S2 30min		3 S 2 30min 4,02 S2 30min		3 S 2 30min 4,02 S2 30min		
63	Lifting motor				-		-		-		
64 Working pressure	for auxiliary attachment		bar-lbf/in ²		ca.120 appr.1740		ca.120 appr.1740		ca.120 appr.1740		
65 Gears	Type of speed change				mechanical		mechanical		mechanical		
66	No. gears / speeds forwards / backwards				-		Pulse stepless		-		
67 Transmission	Type				Bevel gear		Bevel gear		Bevel gear		

06.00.2 Basse-Druck GmbH, Hagen

We reserve the right to make technical alterations.



Sichelschmidt

Elektro-Stapler-GmbH

P.O.B. 320 · D-58291 Wetter
 Phone +49(0) 23 35 / 63 09-0
 Fax +49(0) 23 35 / 63 09 88
 Internet: <http://www.sichelschmidt.de>