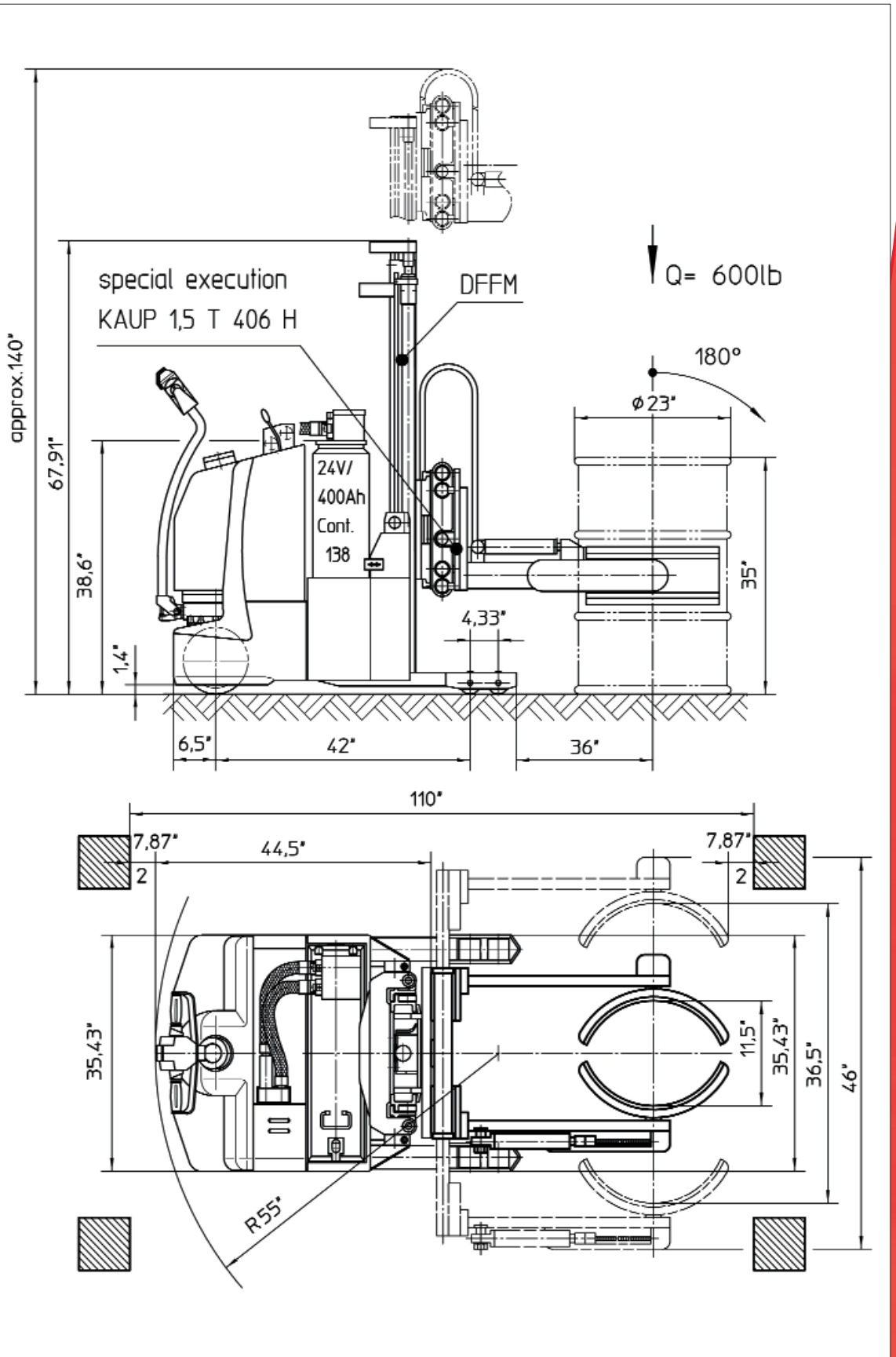




**Sichelschmidt**  
Explosion proof forklift equipment

**EX Drum Handler**  
**d-500DH-XP/ASM - CI, DI, Gr C&D**



**Sichelschmidt** LLC  
 105 West Dewey Avenue  
 Bldg. B, unit 9  
 Wharton, NJ 07885  
 Tel: 973-442-7878  
 Fax: 973-442-1874  
 www.sichelschmidt.com